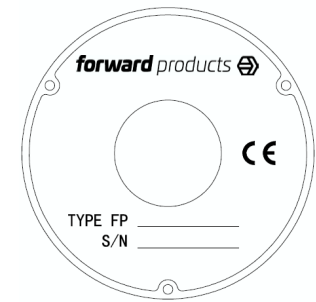
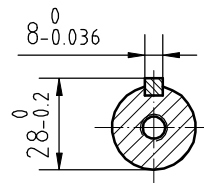
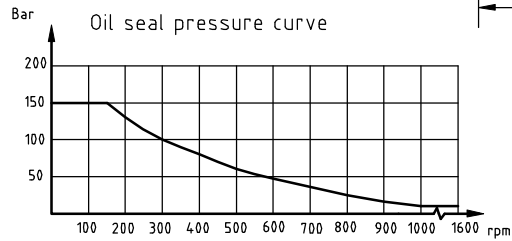
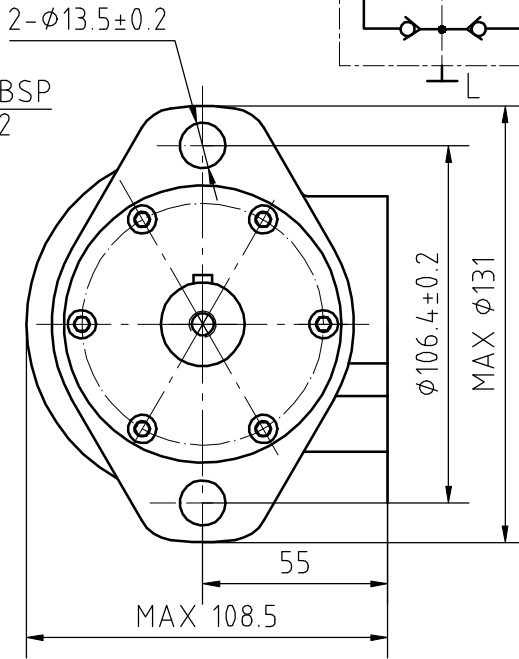
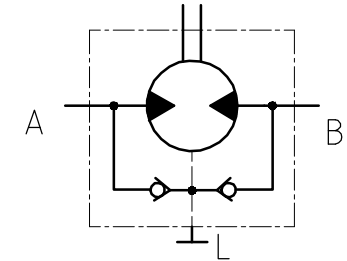
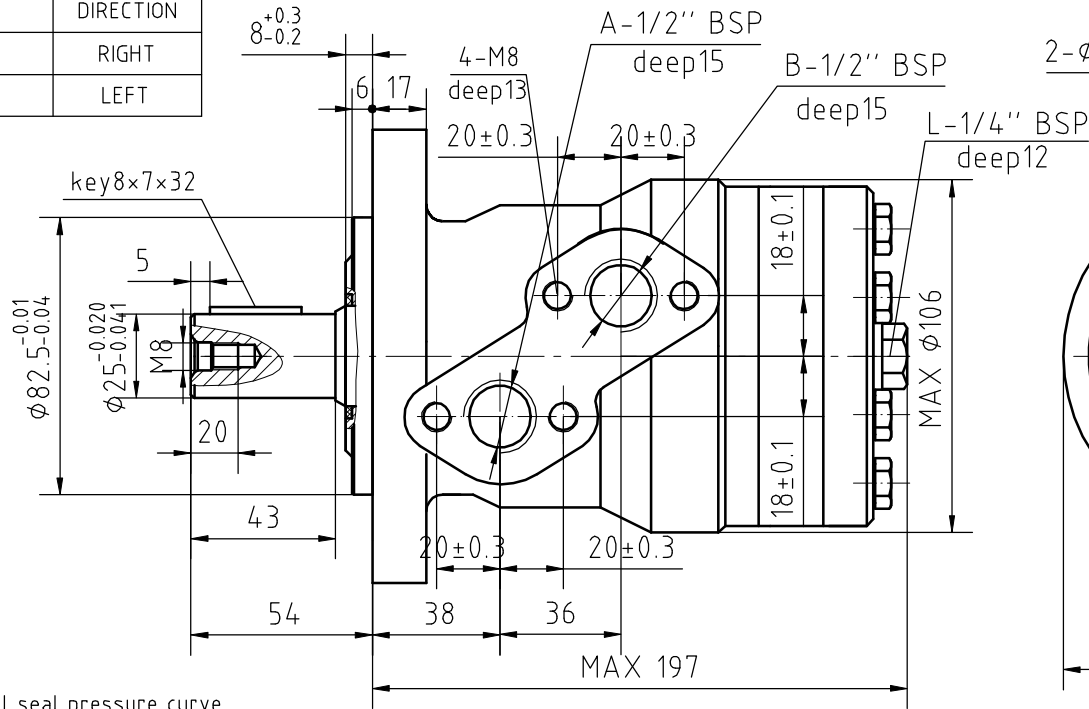


REQUIRED CONTAMINATION CLASS	ISO 4406 class 20/18/15
OPERATING TEMPERATURE RANGE	-20° to +90°C

INLET	DIRECTION
A	RIGHT
B	LEFT



Max allowed back-pressure or drain pressure: 135bar  
 Max allowed torque :485Nm  
 Max speed: 185rpm

PAINTING COLOUR:BLACK  
 PAINTING THICKNESS RANGE: 0.04mm-0.06mm  
 SHAFT AND FRONT HOUSING: MAGNESIUM PHOSPHATED

PRESSURE(bar)		
CONTINUOUS	INTERMITTENT	PEAK
120	140	150
Type:Geroller		

forward products	Date 06.03.2019
Nom.Displacement 315cc/rmp	
FP-MR315-2H-CY25-01	